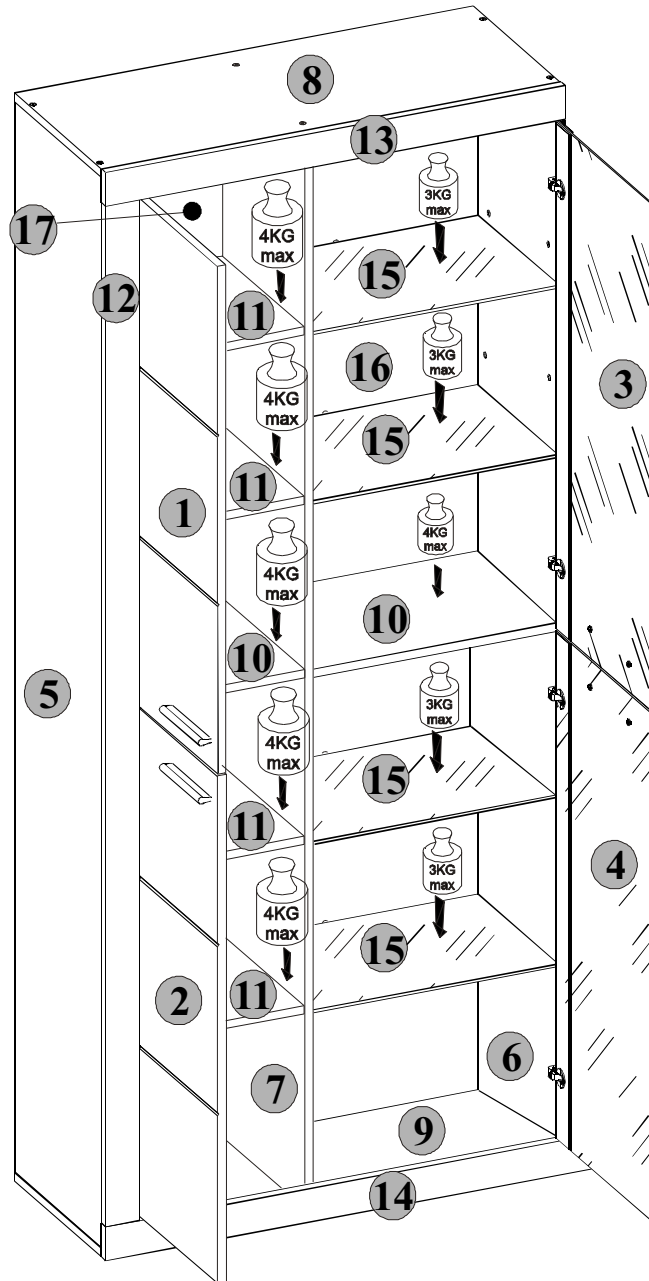
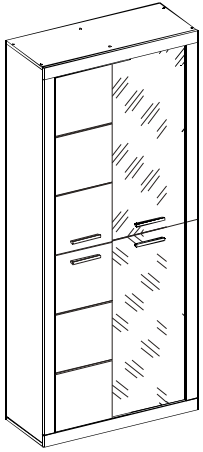
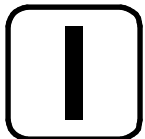
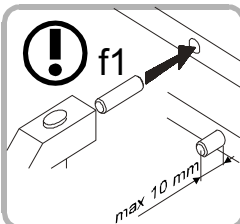
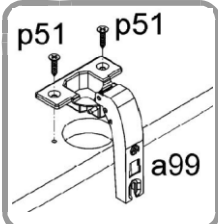
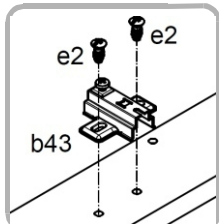
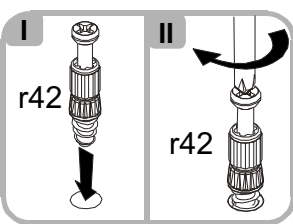
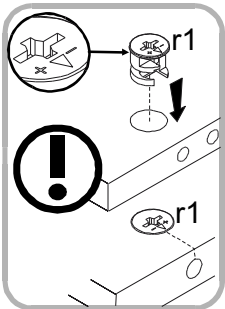
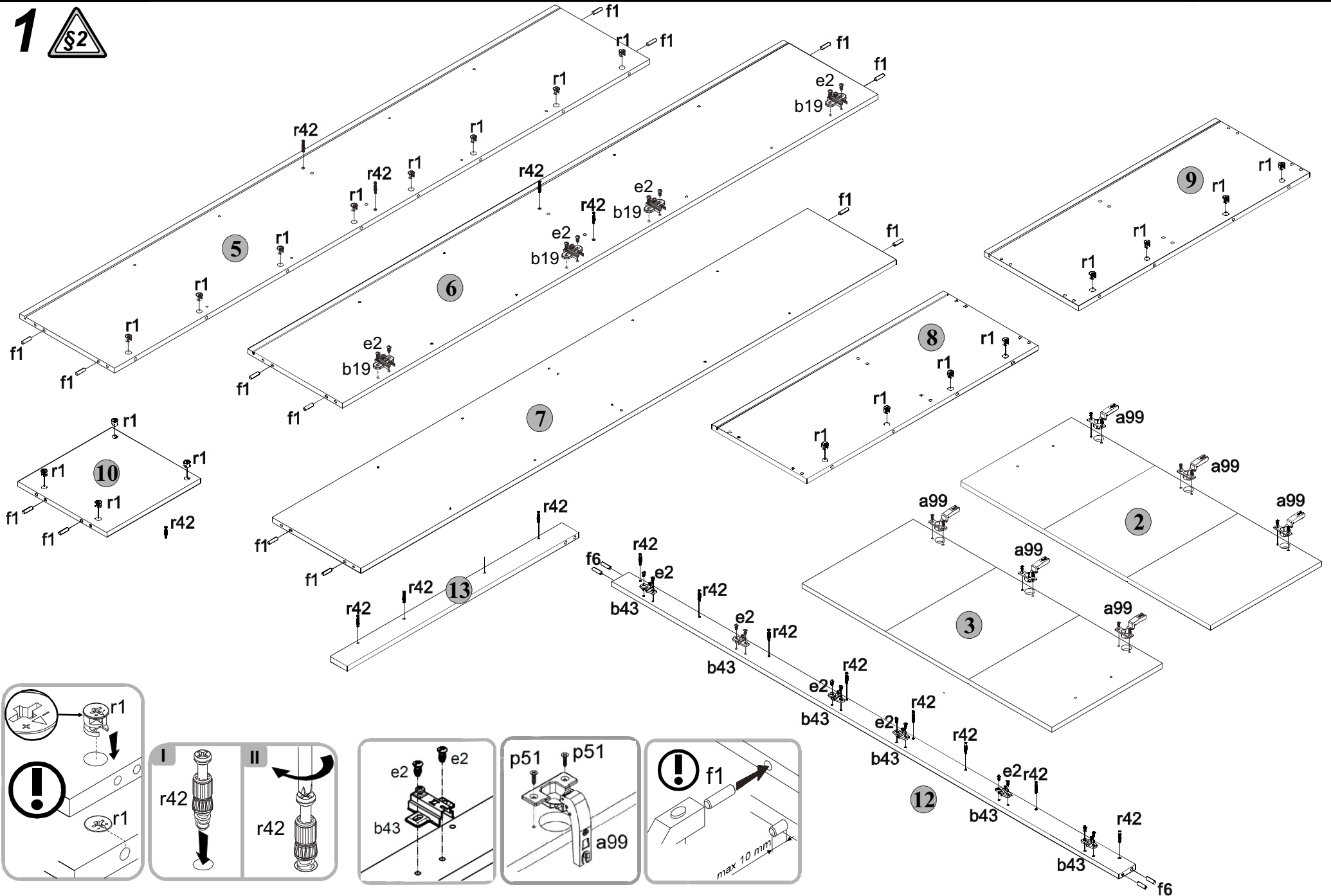


cm 0 1 2 3 4 5 6 7 8 9 10										6x o43/1		1x o43/6	
8x 6,5x40mm f25	2x silikon ϕ 8x1,8mm o21												
11x a99	6x a44	6x b19	11x b43	9x c235 L=96/128 mm	24x d1 ϕ 5x17 mm	24x d3 ϕ 5x17 mm	39x e1 ϕ 7x50 mm	26x e2 ϕ 6,3x13 mm	2x e5 ϕ 6,3x13 mm	6x e4 ϕ 5x11 mm	64x f1 ϕ 8x30 mm	18x f6 ϕ 8x50 mm	
7x f35 ϕ 10x50 mm	3x g2	11x k43 ϕ 48/10mm	36x s2 ϕ 16	38x l2	1x m3 L-236	16x n108 20x13x3,5/1mm	6x o1	6x p1 ϕ 3,5x13 mm	12x p9 ϕ 4x30 mm	7x p17 ϕ 5x60 mm	24x p38 ϕ 3,5x16 mm	6x p59 ϕ 4x12 mm	
34x p51 ϕ 3,5x15 mm	16x p55 ϕ 2,9x16 mm	1x n100 55x30x20,2 mm	95x r1 ϕ 15x12mm #16	95x r42 20/11	2x w45\CL 350 mm	2x w45\CR 350 mm	2x w45\DL 350 mm	2x w45\DR 350 mm	4x n14 81x21x15/1,5mm	1x z1	9x e3 x13mm	8x e19 11,5x9 mm	



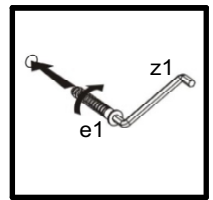
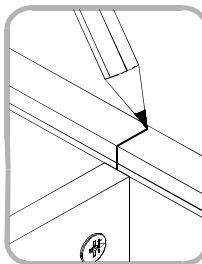
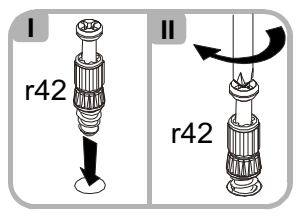
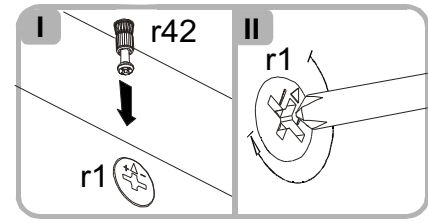
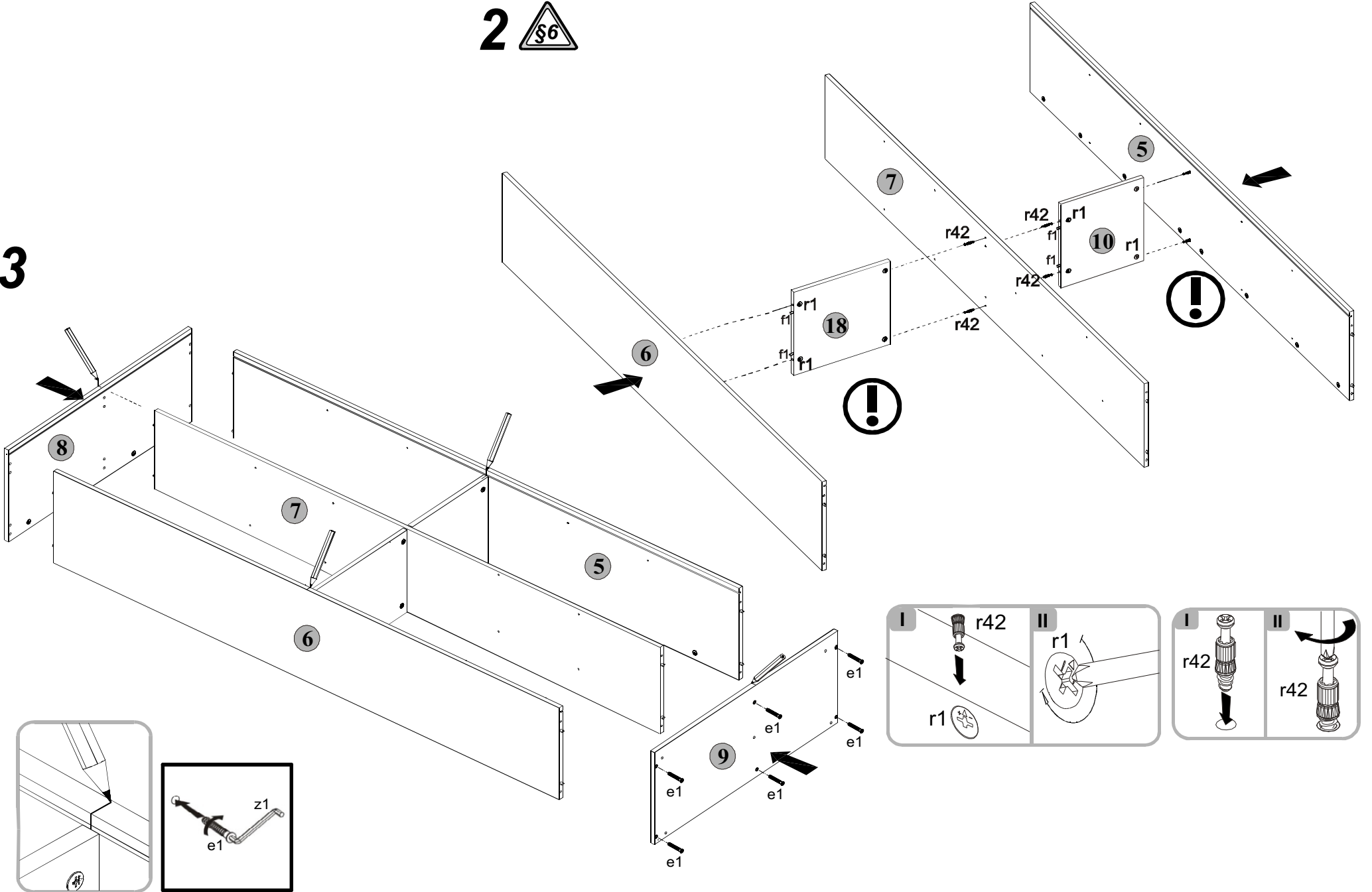
A	B	C (mm)		D
1	N41-001	896	300	4/5
2	N41-002	896	300	4/5
3	N41-003	896	360	4/5
4	N41-004	896	360	4/5
5	N41-102	1888	384	3/5
6	N41-101	1888	384	3/5
7	N41-103	1888	364	3/5
8	N41-201	727	384	4/5
9	N41-202	727	384	4/5
10	N41-301	339	364	4/5
11	N41-302	339	354	4/5
12	N41-503	1801	60	3/5
13	N41-504	727	60	4/5
14	N41-505	727	60	4/5
15	N41-506	338	364	4/5
16	N41-901	1898	352	3/5
17	N41-902	1898	352	3/5
18	N41-307	727	364	4/5



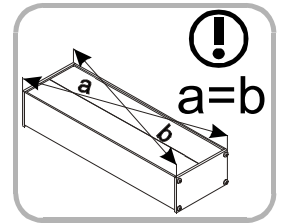
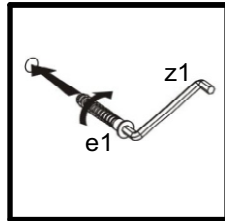
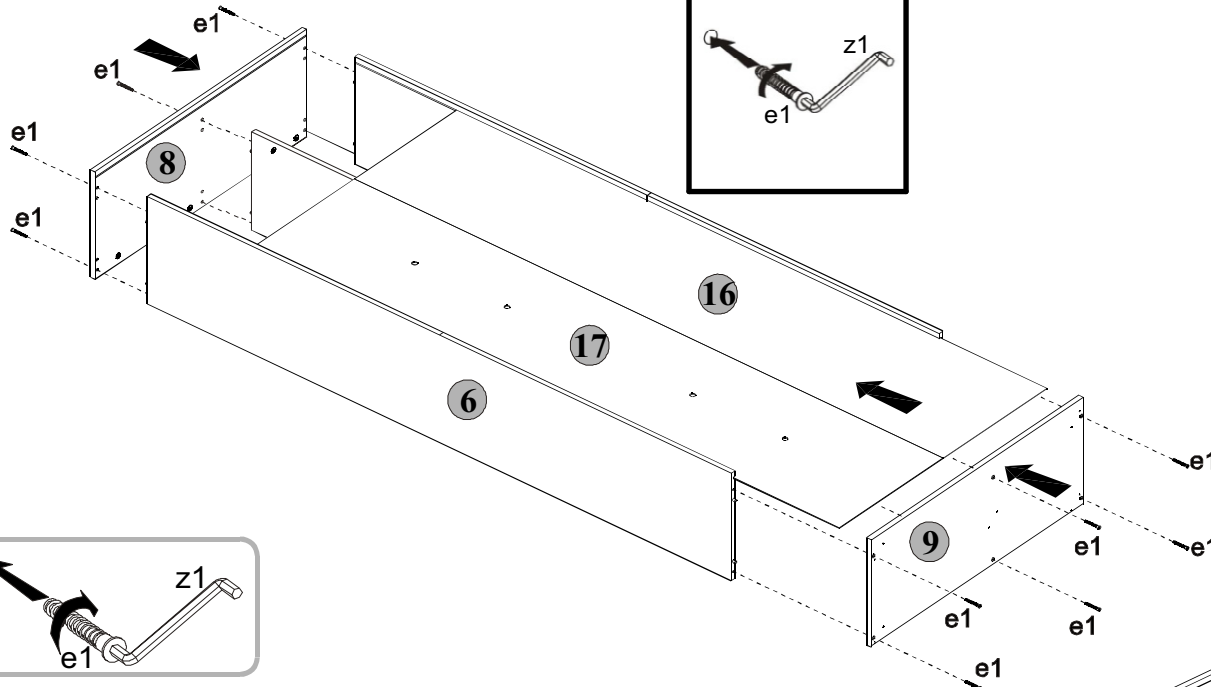


2 

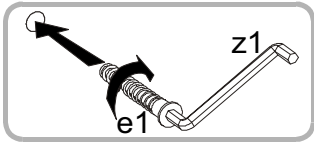
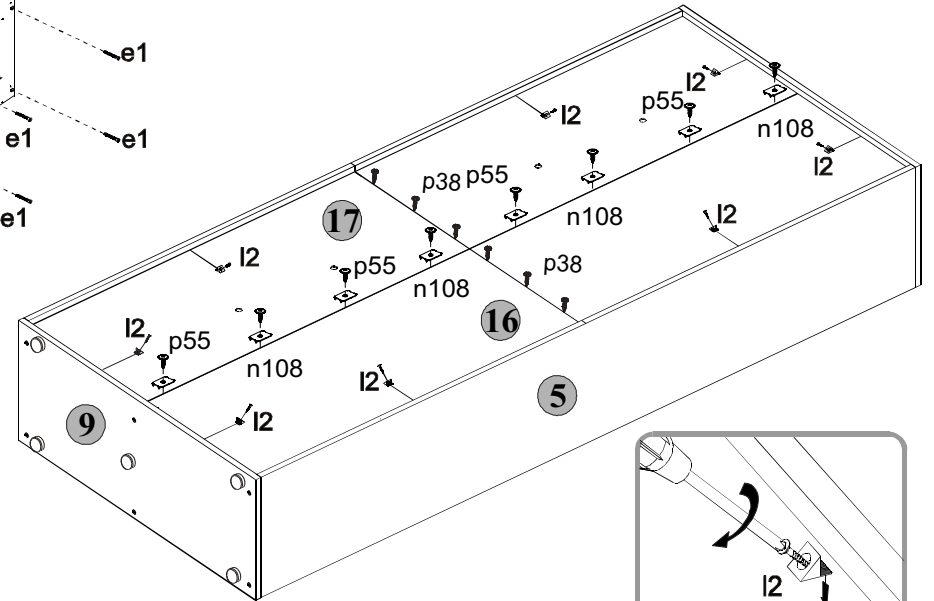
3



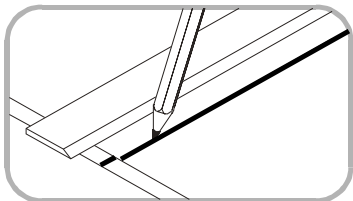
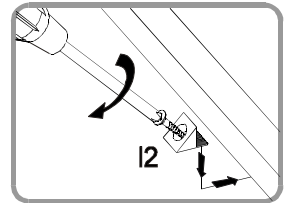
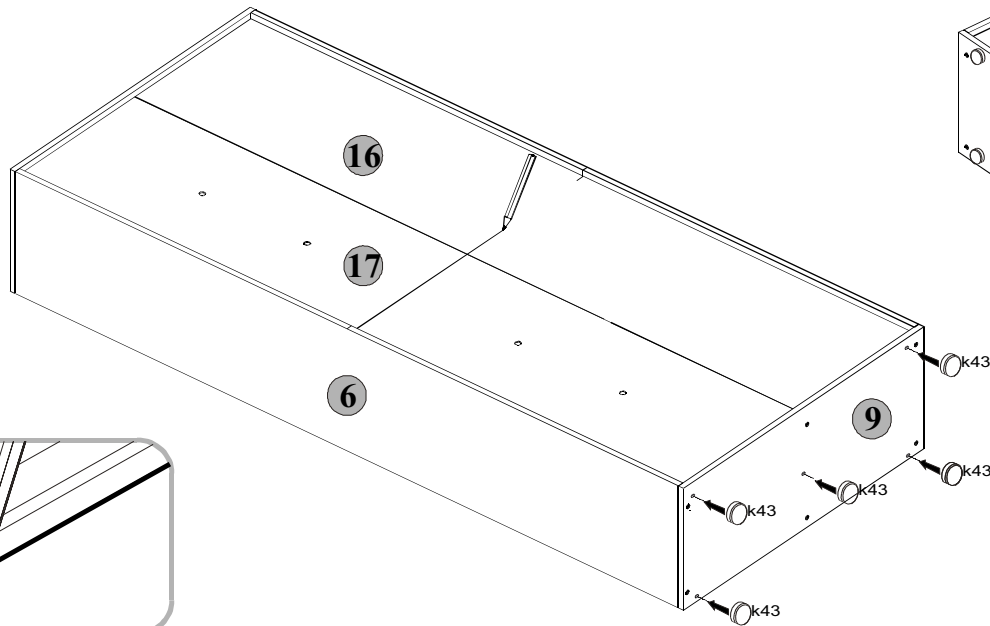
4



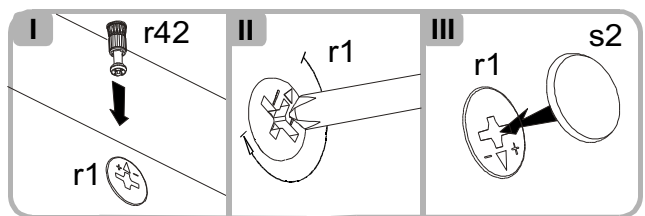
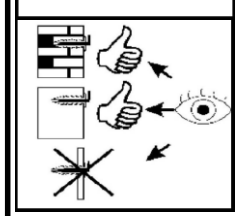
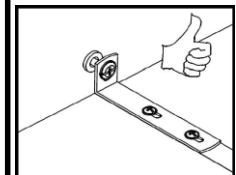
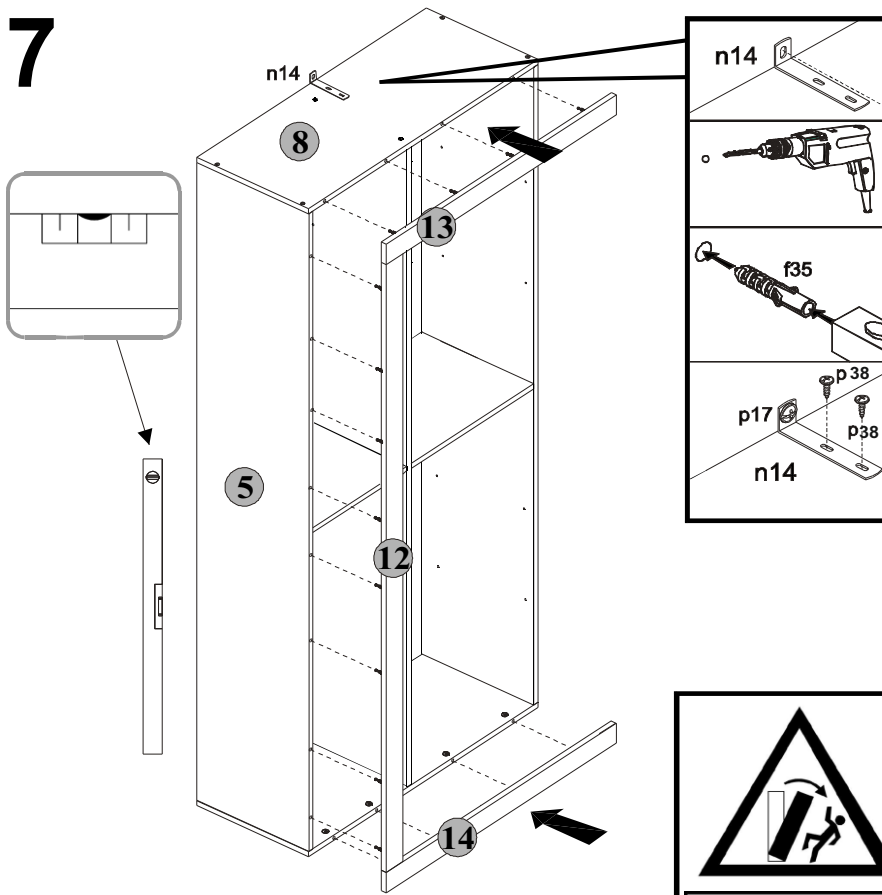
6



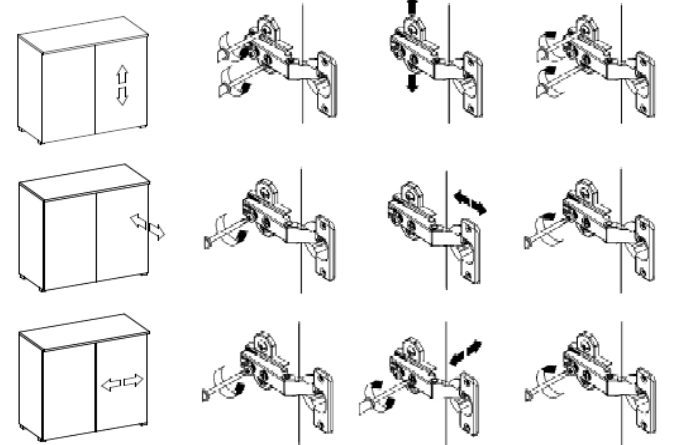
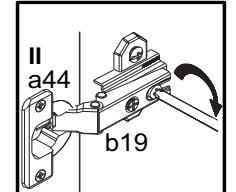
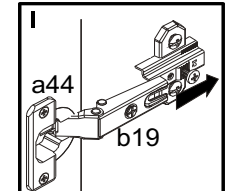
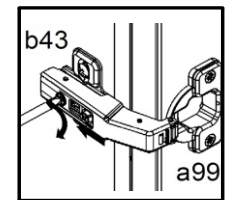
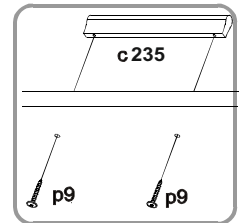
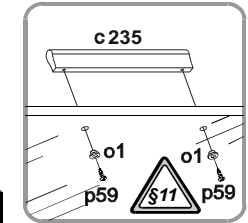
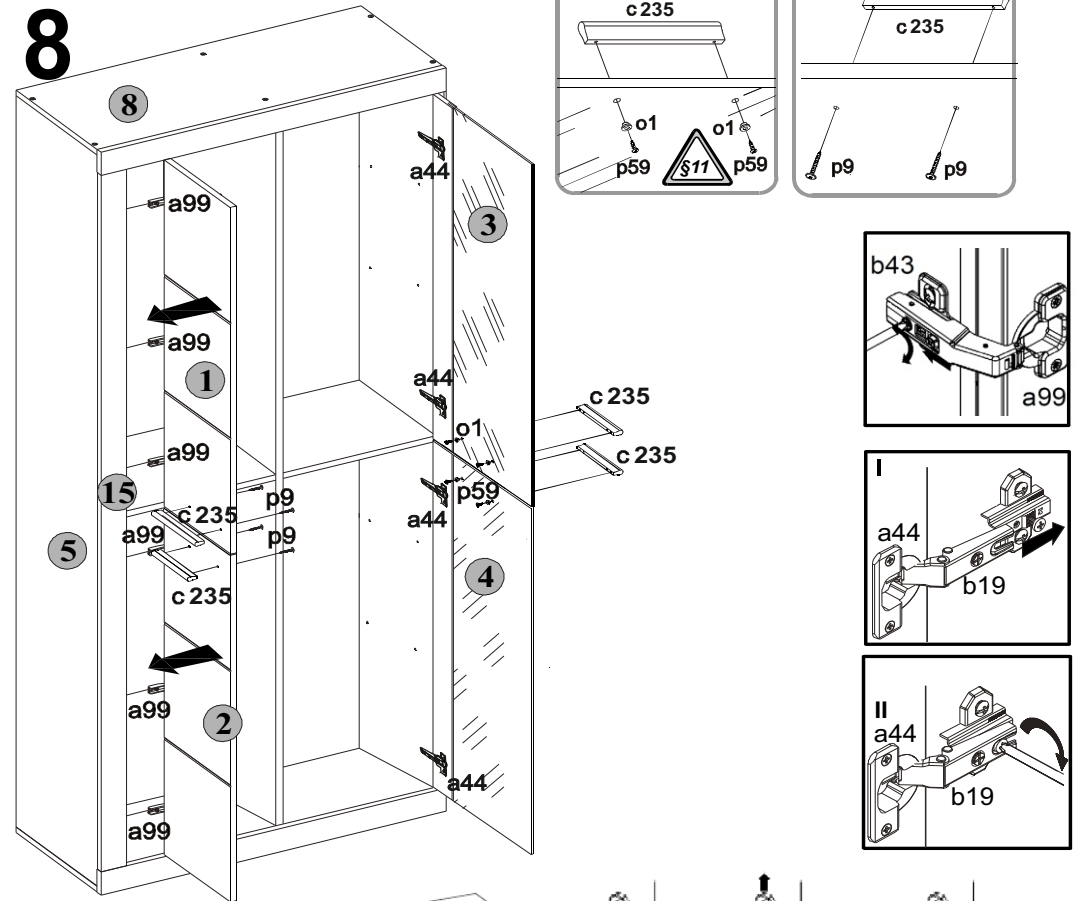
5



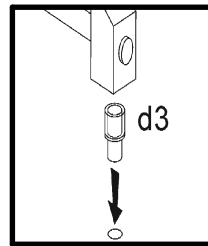
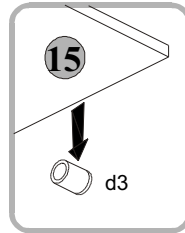
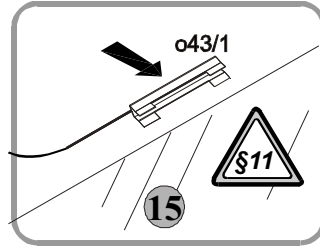
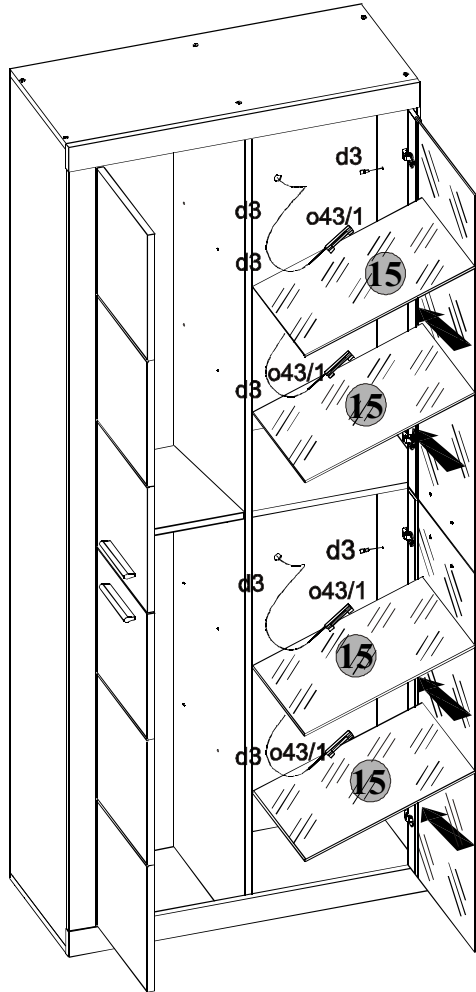
7



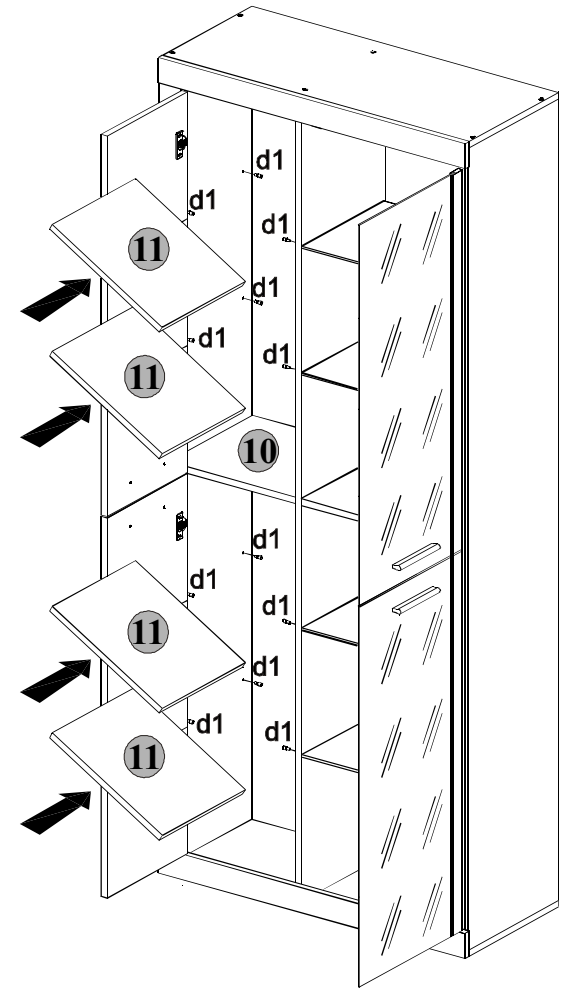
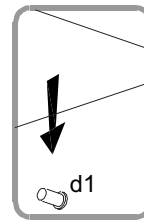
8

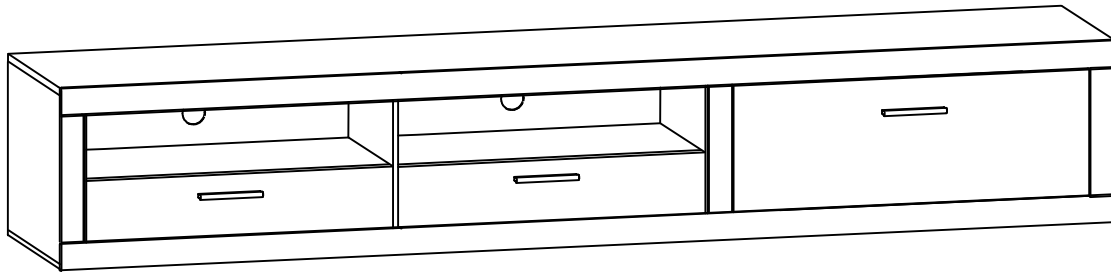


9

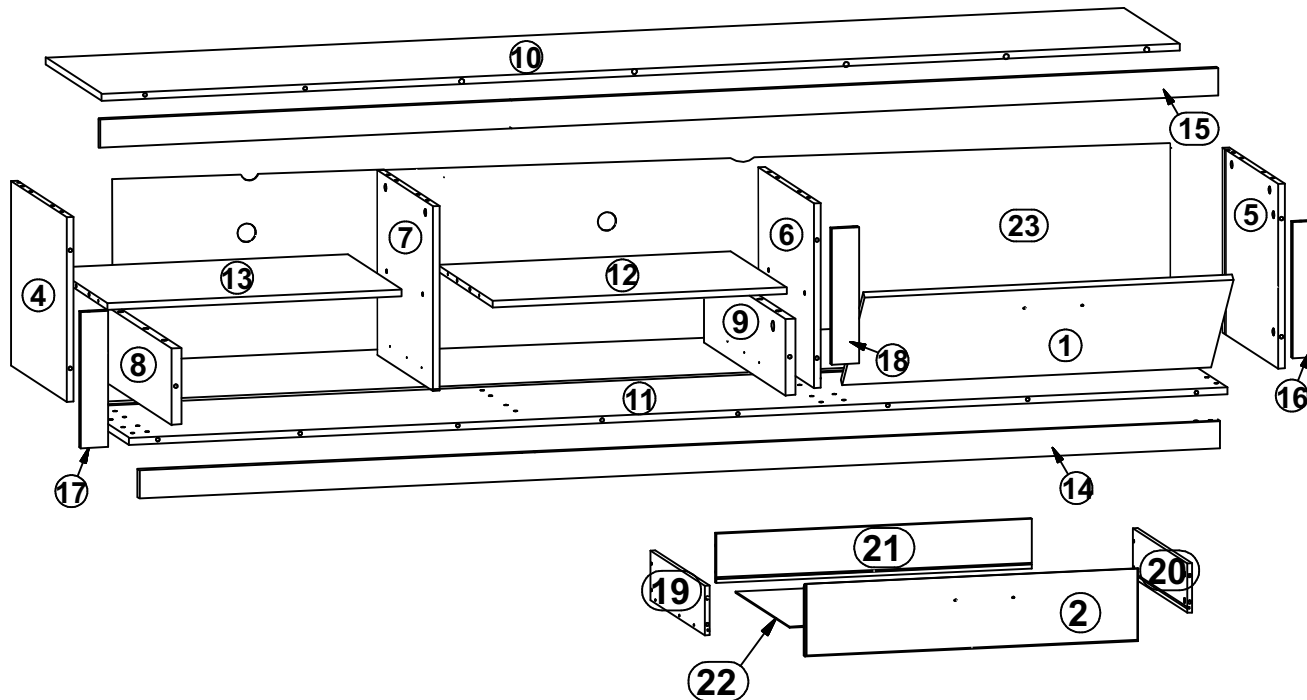


10

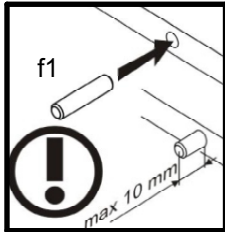
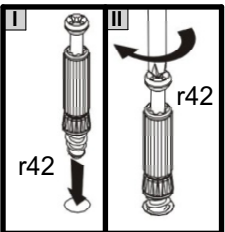
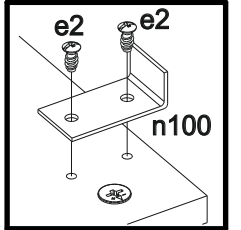
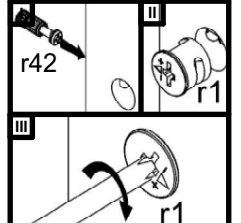
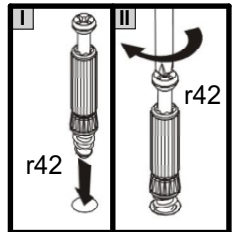
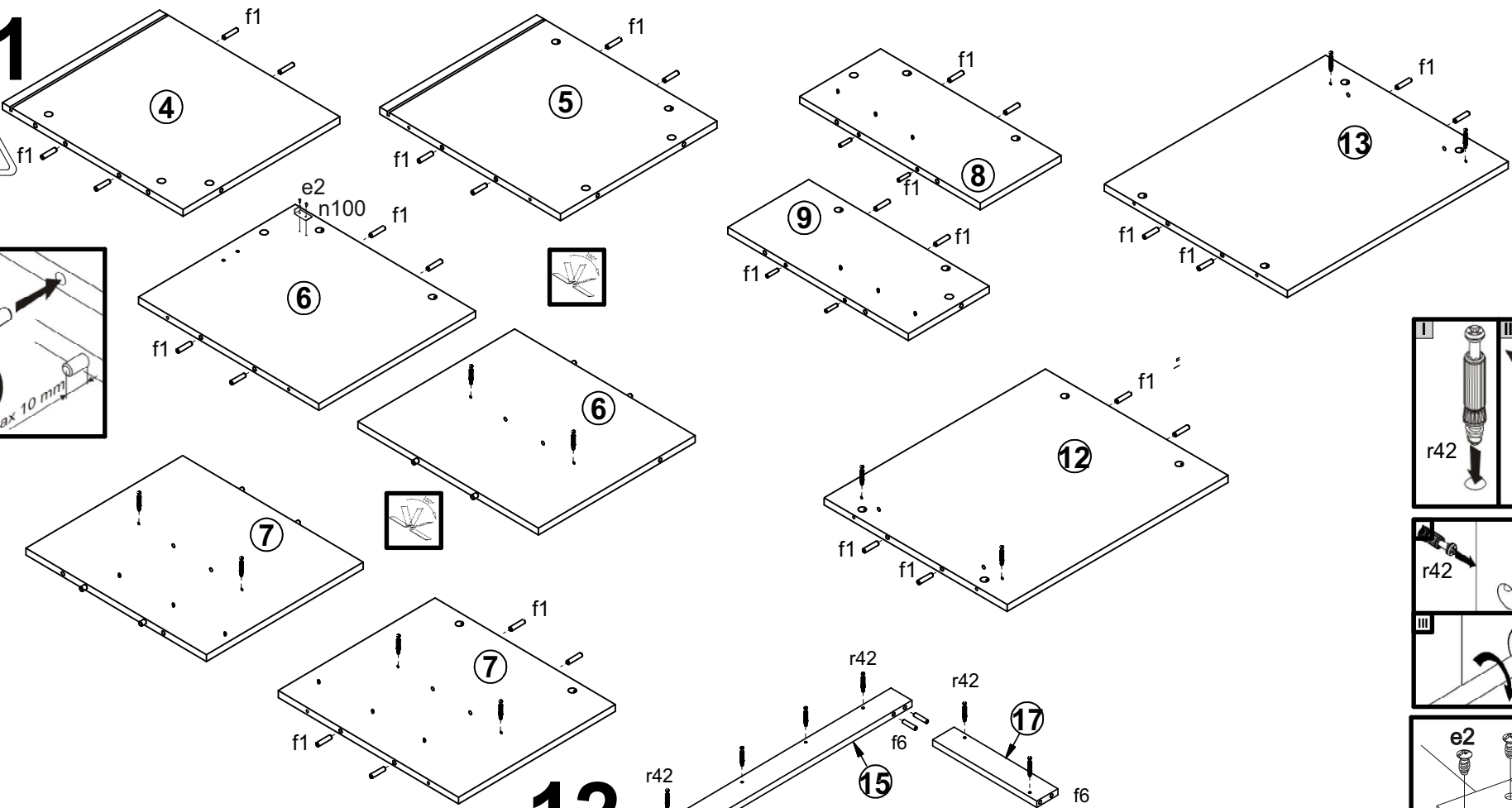
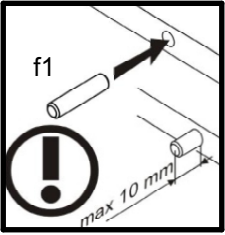




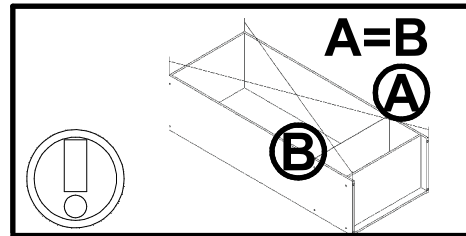
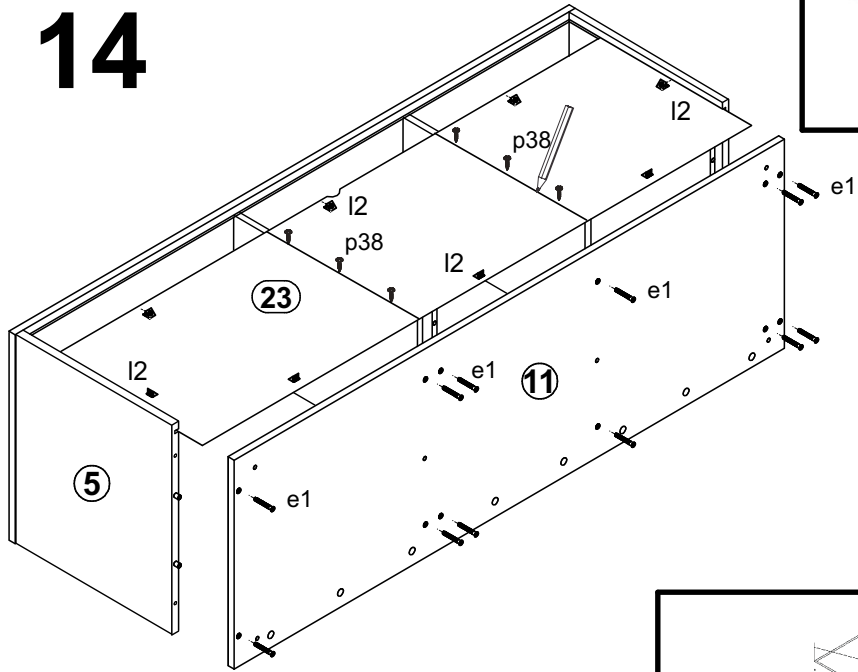
A	B	C (mm)		D
1	N41-005	601	300	1/5
2	N41-006	596	150	1/5
3	N41-007	596	150	1/5
4	N41-108	393	434	1/5
5	N41-107	393	434	1/5
6	N41-109	393	414	1/5
7	N41-110	393	414	1/5
8	N41-111	188	414	1/5
9	N41-112	188	414	1/5
10	N41-205	1988	434	2/5
11	N41-206	1988	434	2/5
12	N41-303	636	414	1/5
13	N41-304	636	414	1/5
14	N41-508	1988	60	2/5
15	N41-509	1988	60	2/5
16	N41-510	306	60	1/5
17	N41-511	306	60	1/5
18	N41-512	306	60	1/5
19	N41-513	350	110	1/5
20	N41-514	350	110	1/5
21	N41-515	535	110	1/5
22	N41-905	545	350	2/5
23	N41-906	1965	403	2/5



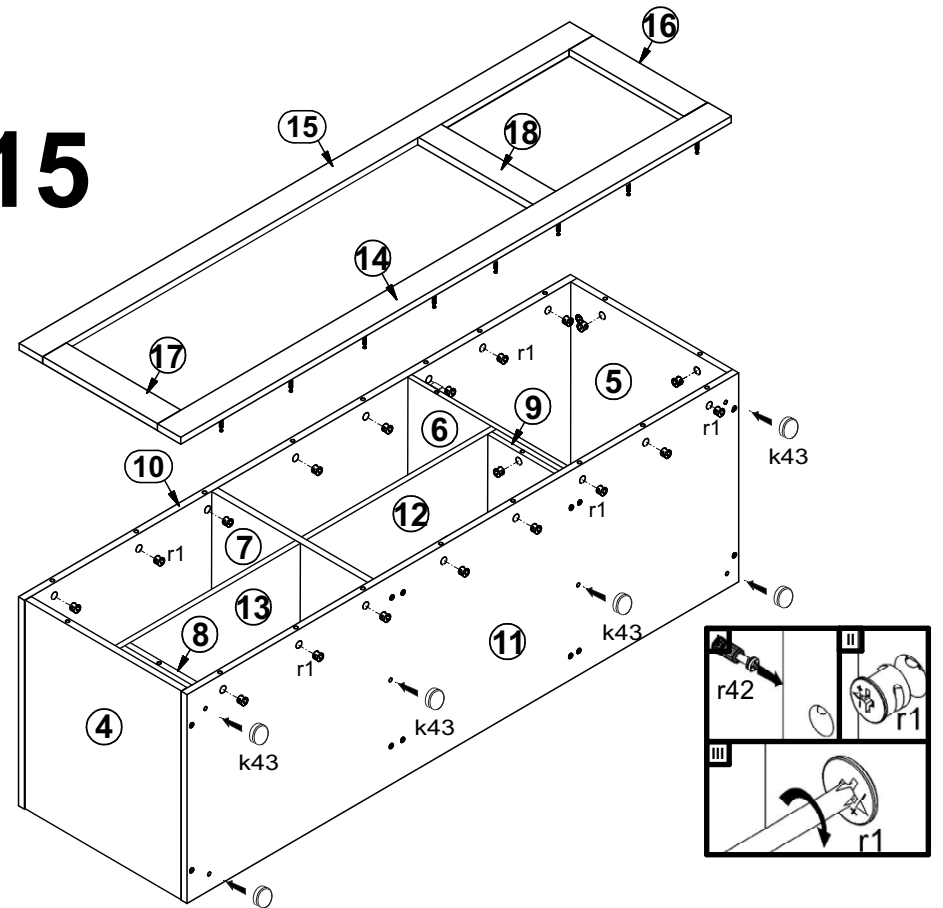
11



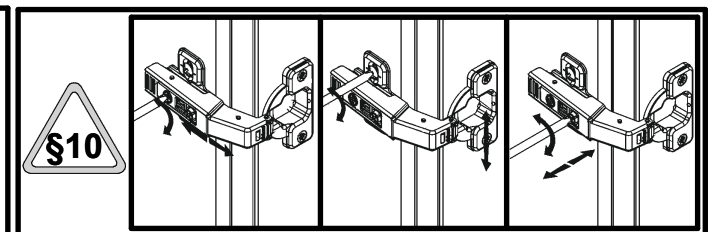
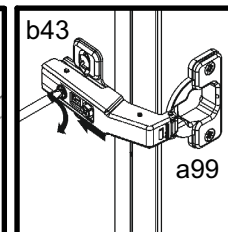
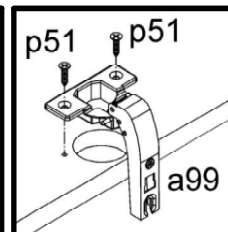
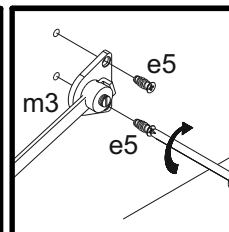
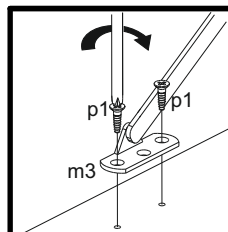
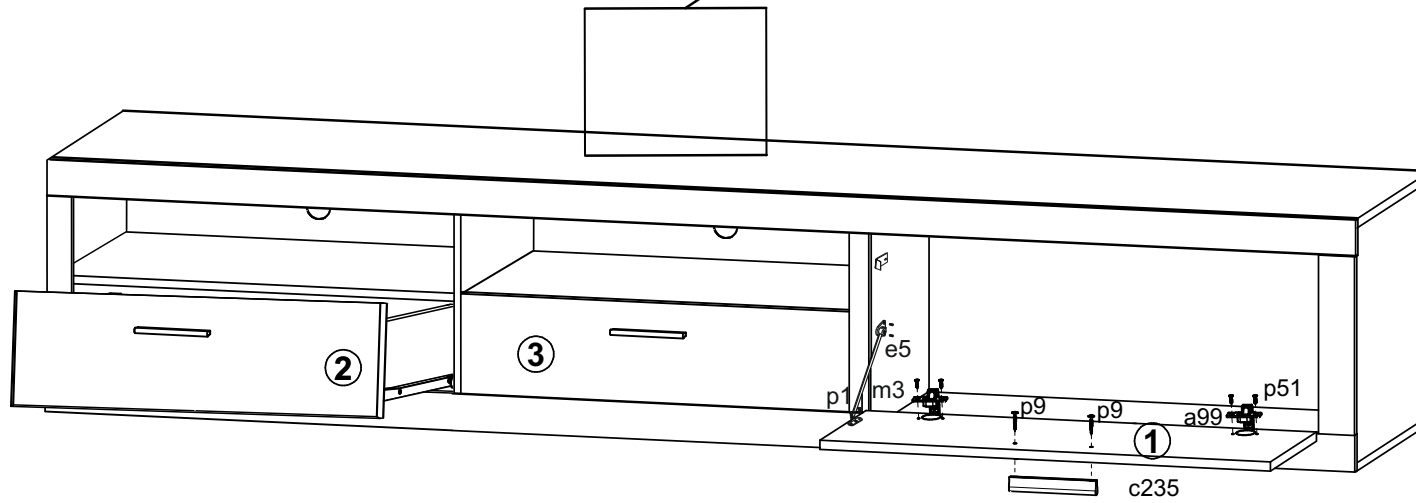
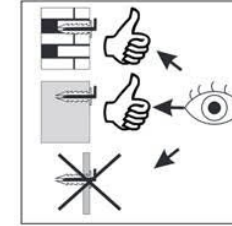
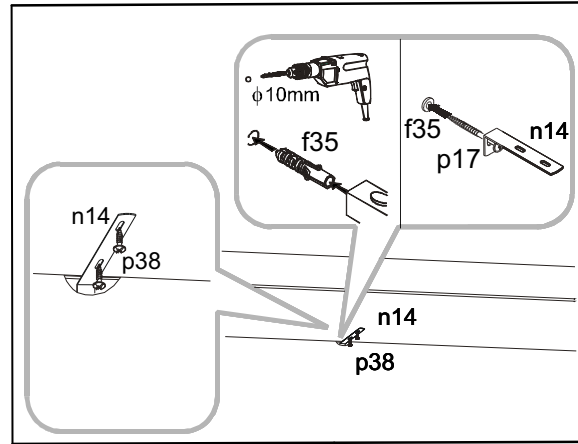
14

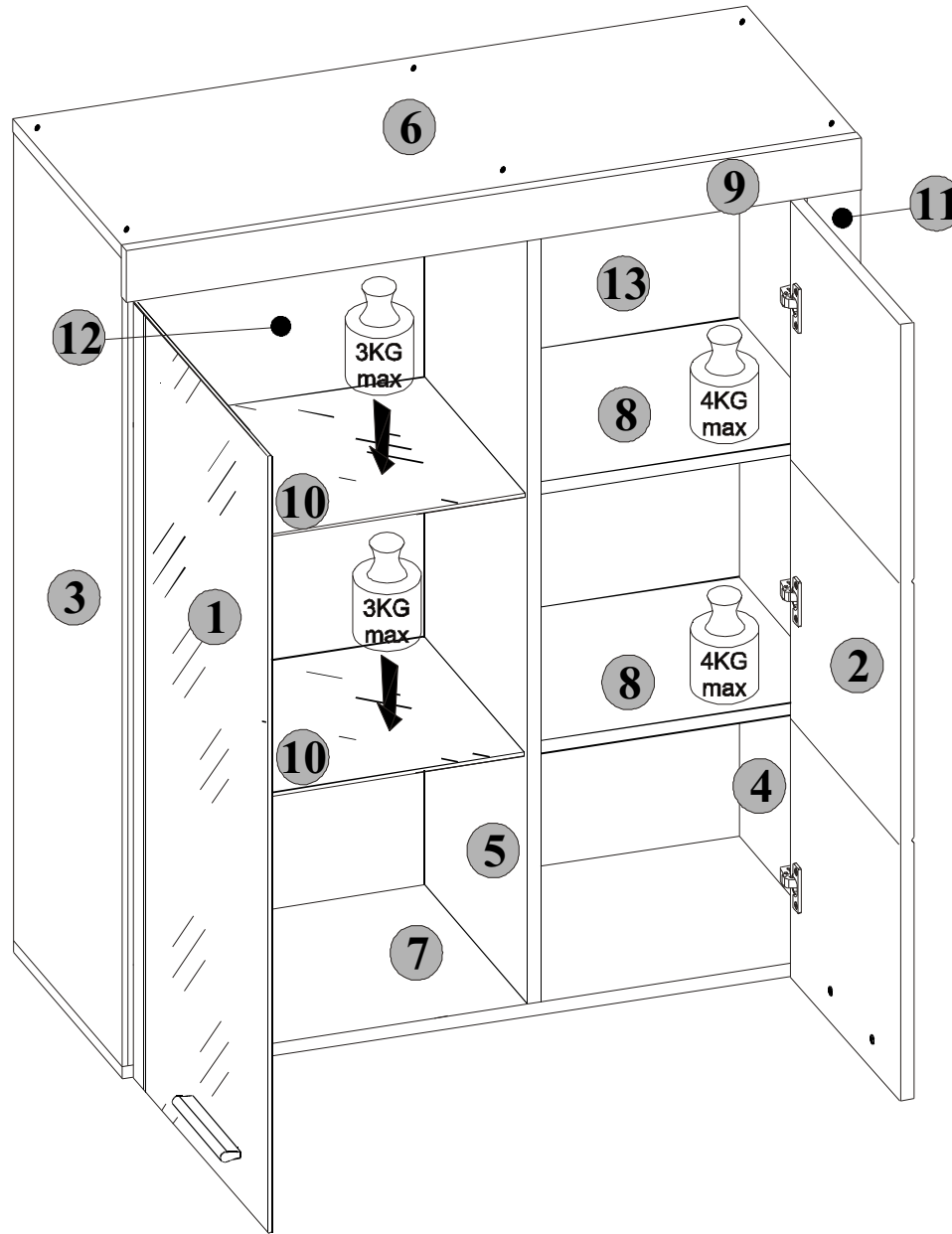
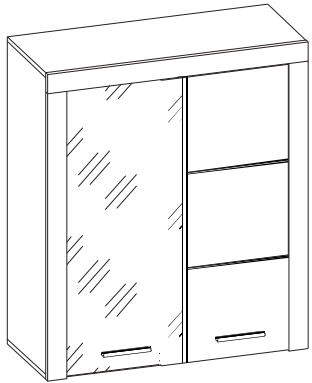


15



16

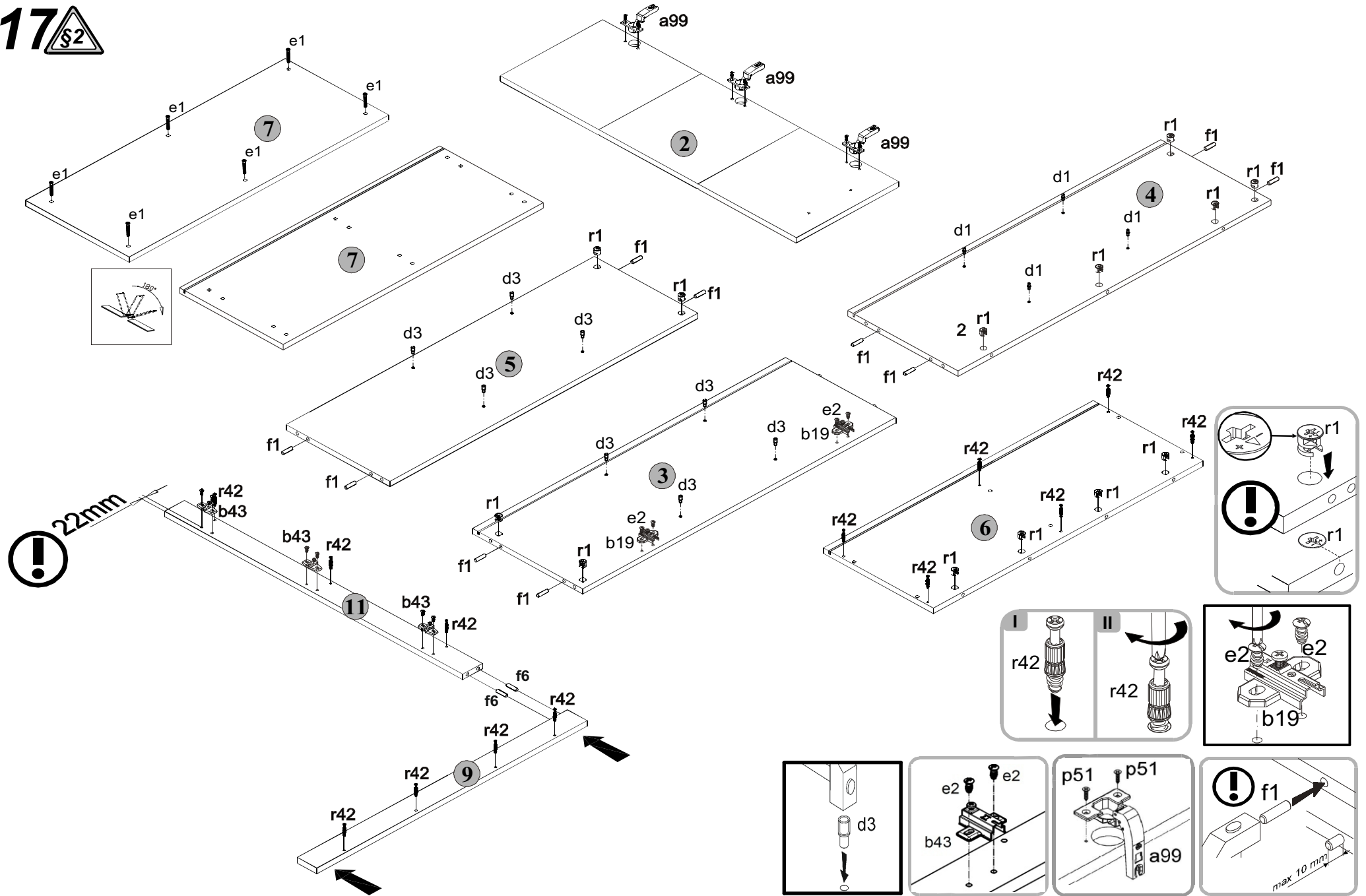




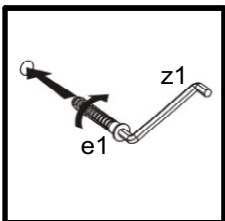
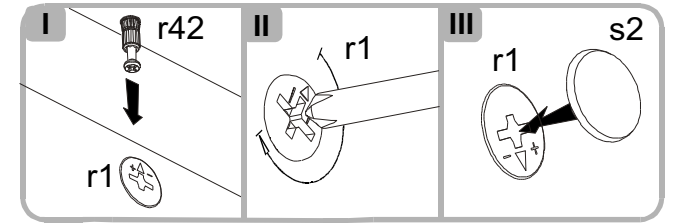
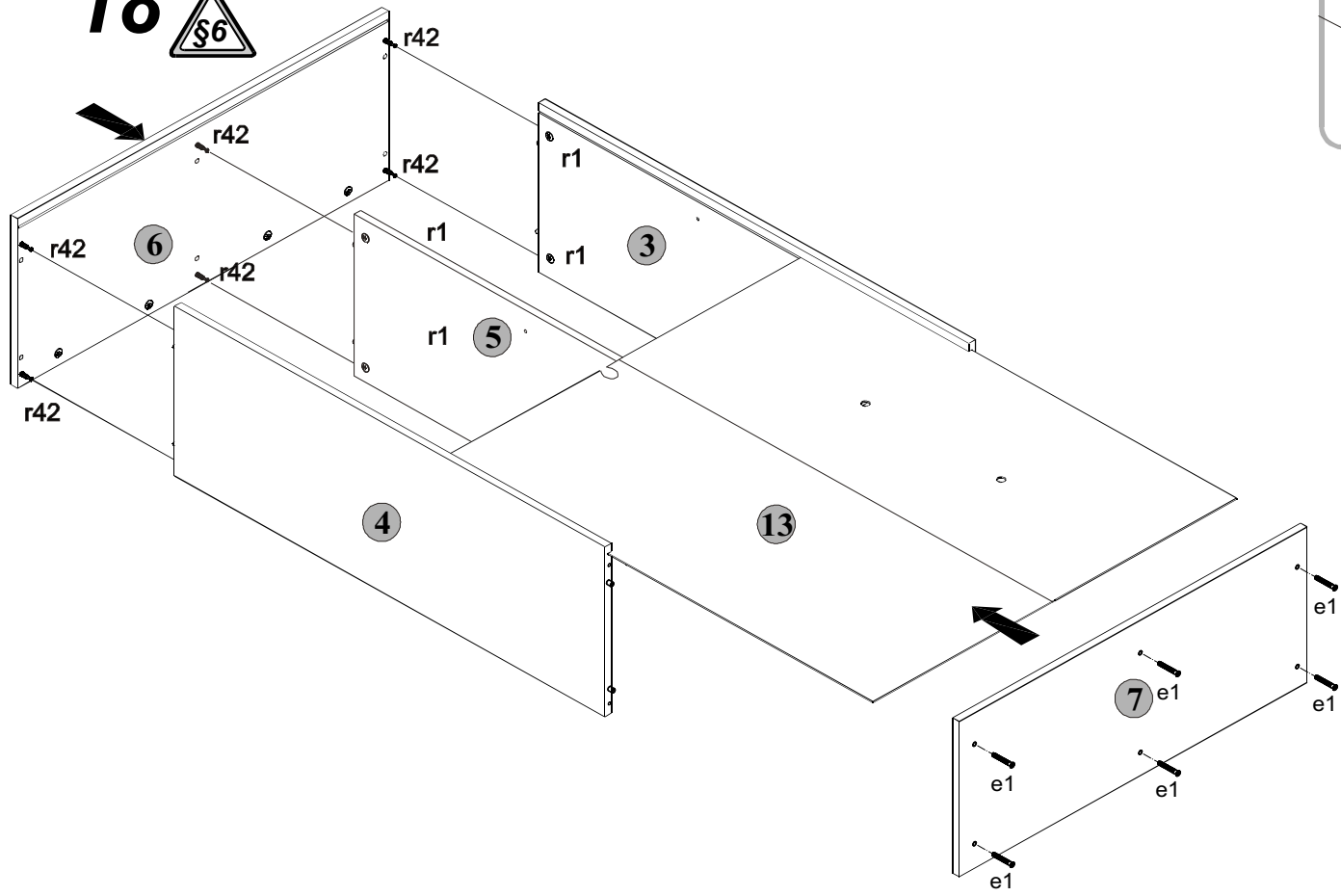
A	B	C (mm)		D
1	N41-003	896	360	5/5
2	N41-002	896	300	5/5
3	N41-104	930	384	5/5
4	N41-105	930	384	5/5
5	N41-106	930	364	5/5
6	N41-203	727	384	5/5
7	N41-204	727	384	5/5
8	N41-302	339	354	5/5
9	N41-504	727	60	5/5
10	N41-506	338	354	5/5
11	N41-507	902	60	5/5
12	N41-903	940	352	5/5
13	N41-904	940	352	5/5



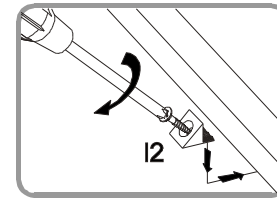
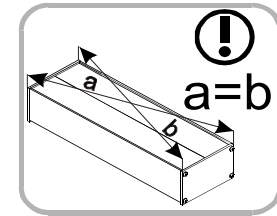
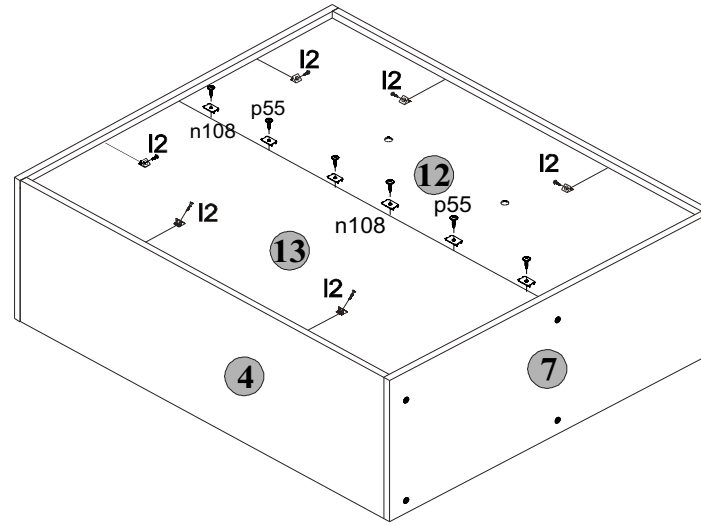
17 



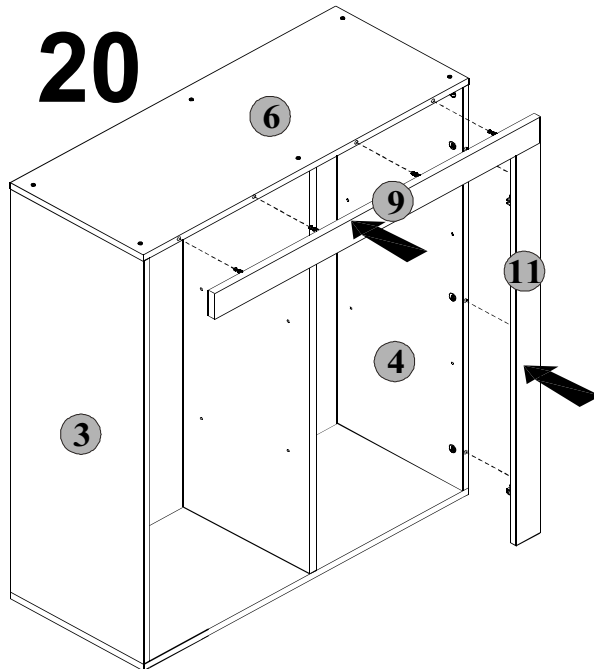
18



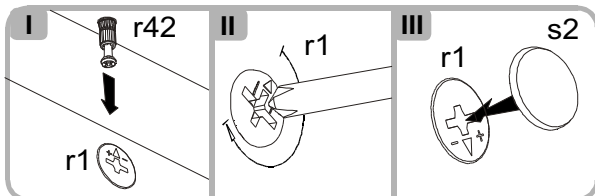
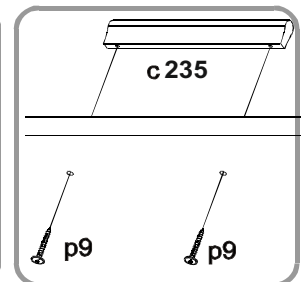
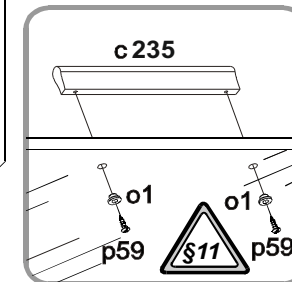
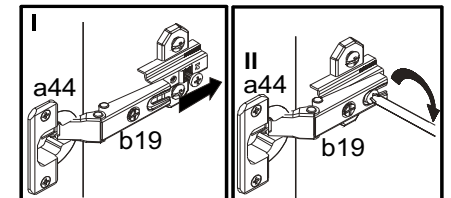
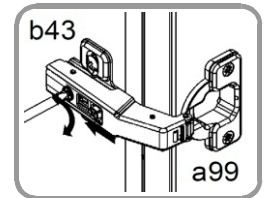
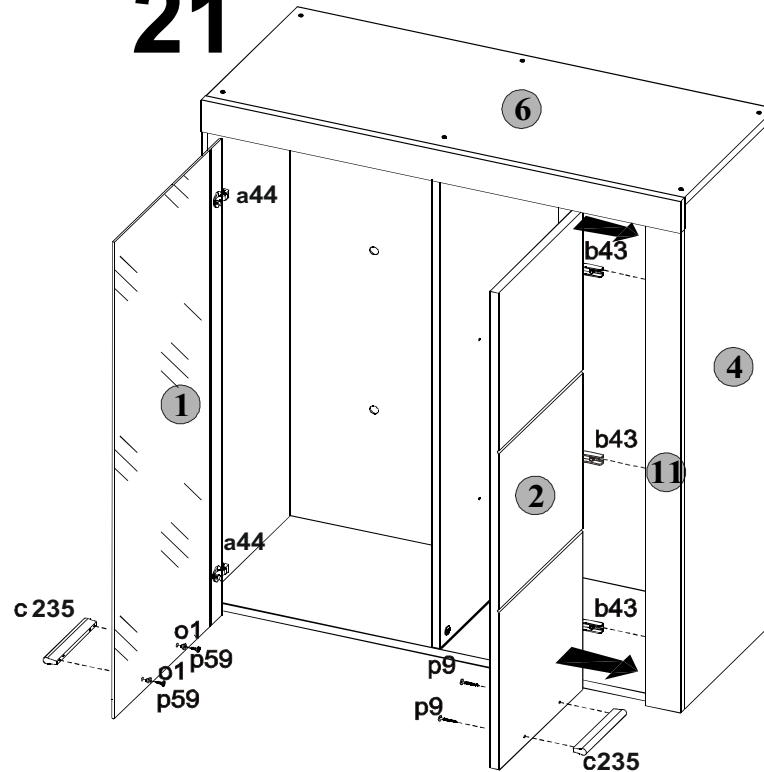
19



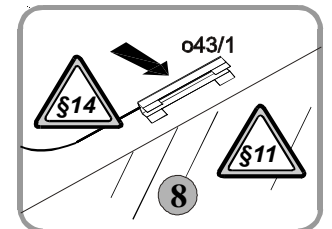
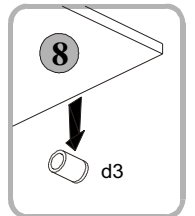
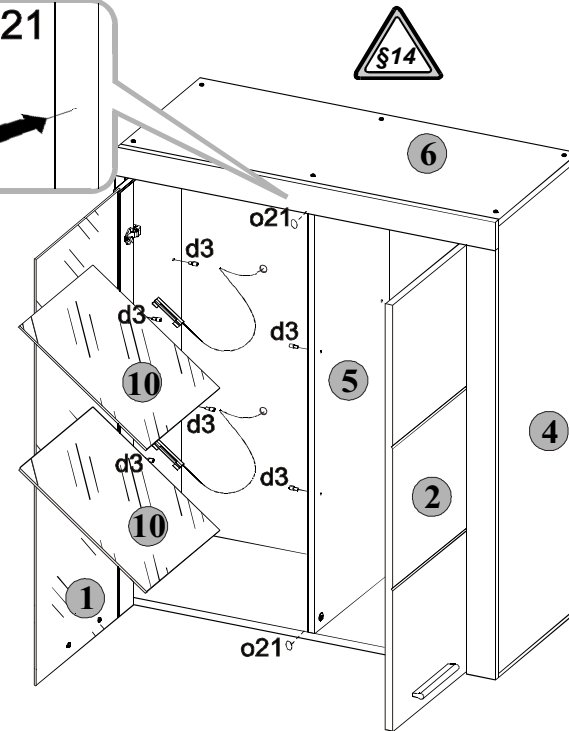
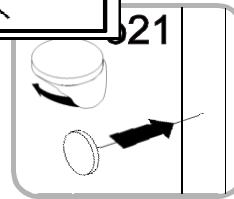
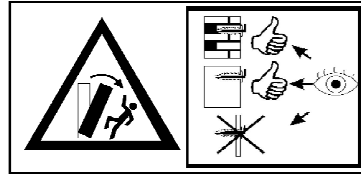
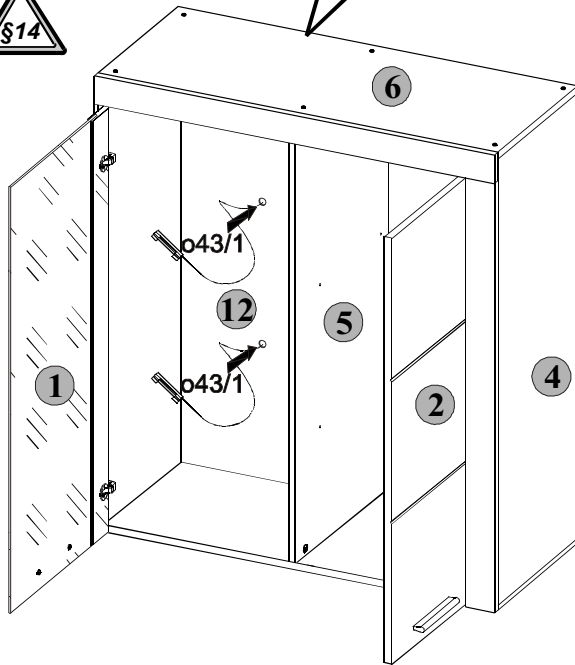
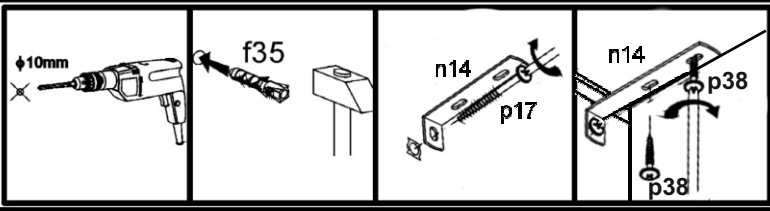
20



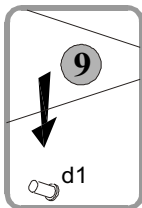
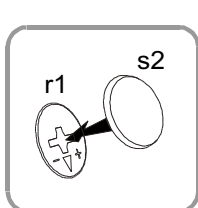
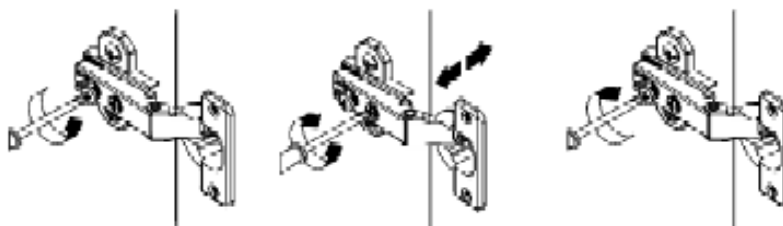
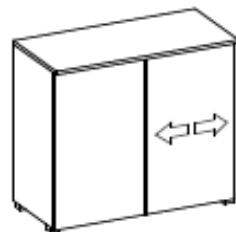
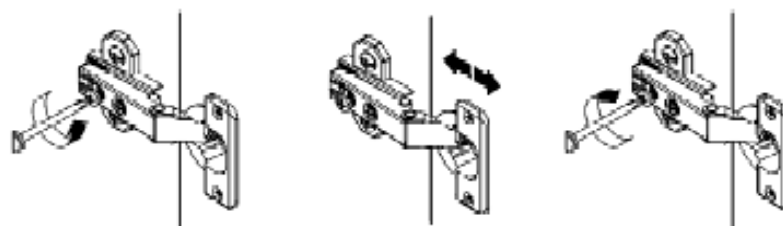
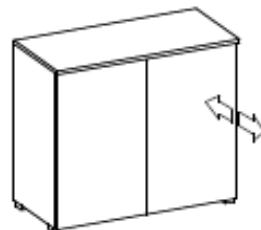
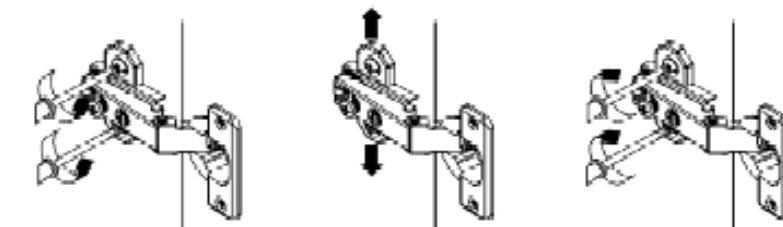
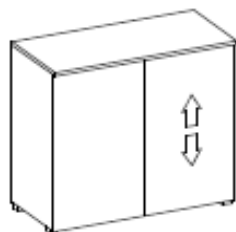
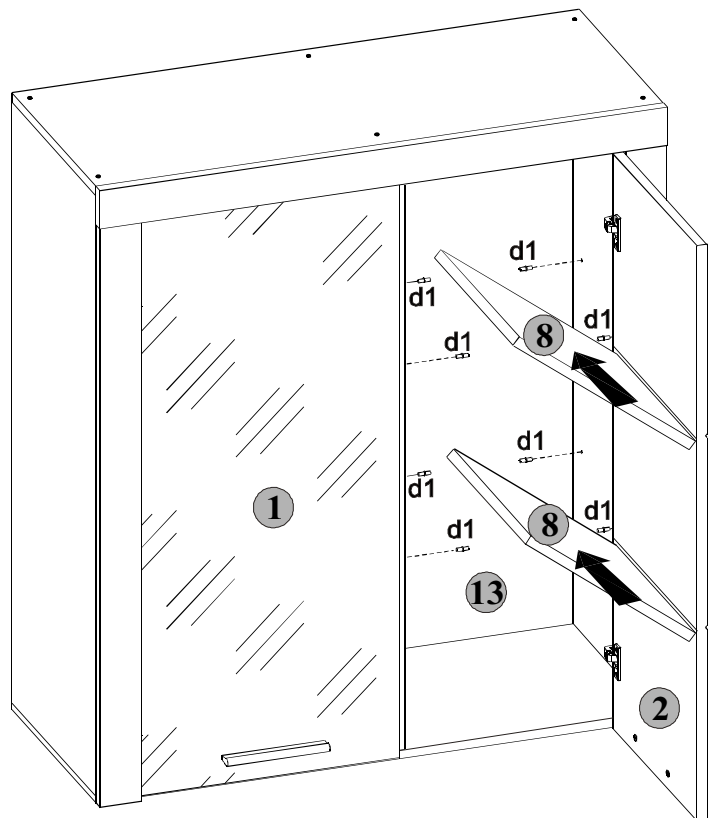
21

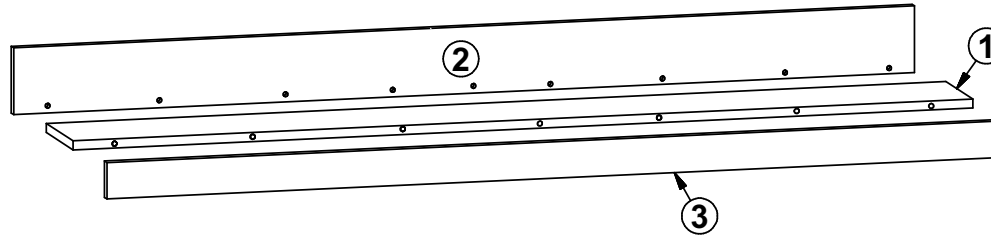


23



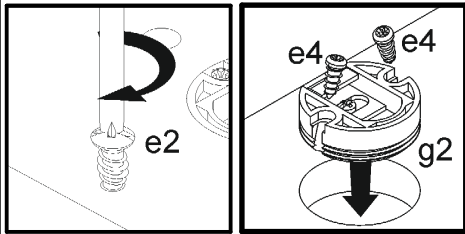
25



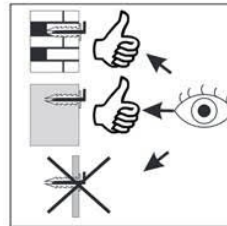
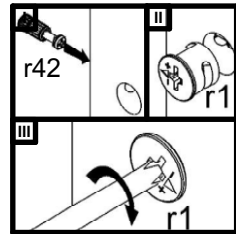
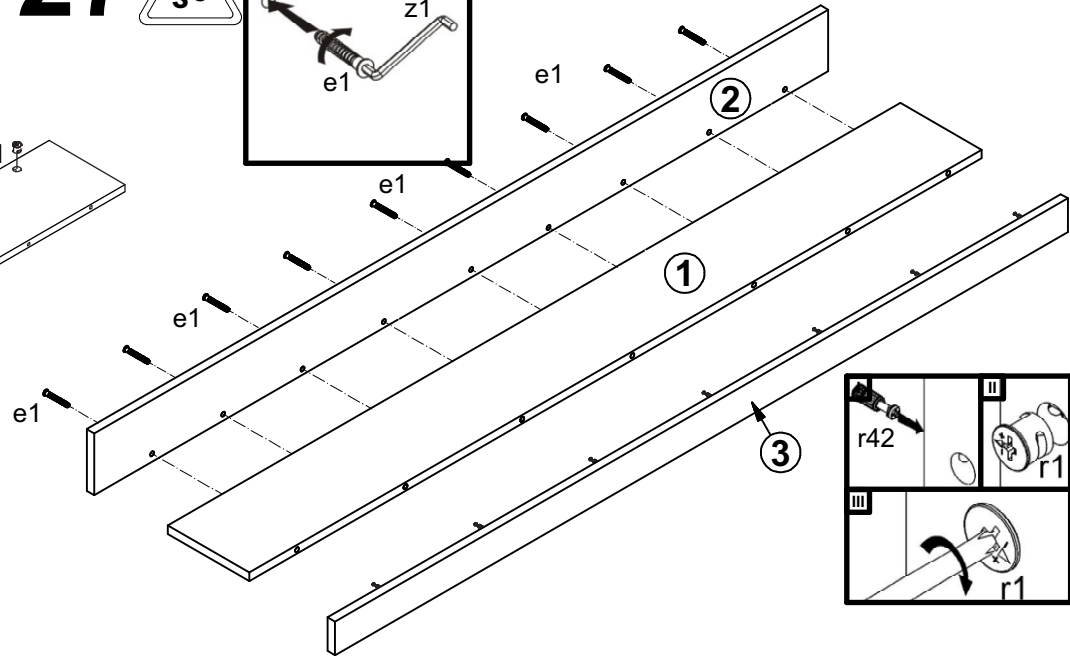
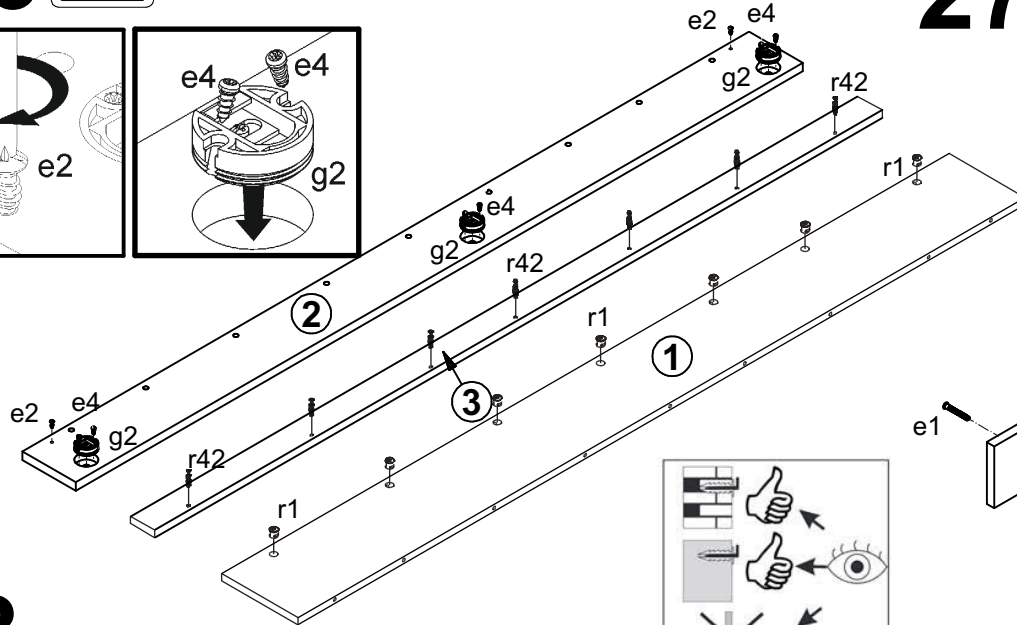
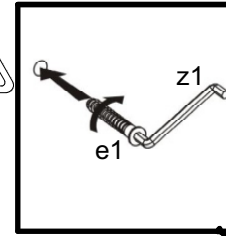


A	B	C (mm)		D
1	N41-305	1988	158	2/5
2	N41-517	1988	108	2/5
3	N41-516	1988	60	2/5

26



27



28

